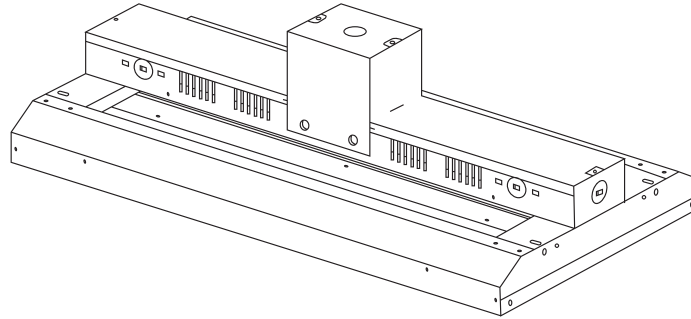




# INSTALLATION INSTRUCTIONS

## LLH - LED Linear Highbay



### SAFETY PRECAUTION:

To reduce the risk of death, personal injury or property damage from fire, electric shock, falling parts, cuts/abrasions, and other hazards read all warnings and instructions included with and on the fixture box and all fixture labels.

Before installing, servicing, or performing routine maintenance upon this equipment, follow these general precautions. Commercial installation, service and maintenance of luminaires should be performed by a qualified licensed electrician. For The installation: If you are unsure about the installation or maintenance of the luminaires, consult a qualified licensed electrician and check your local electrical code.

To prevent wiring damage or abrasion, do not expose wiring to edges of sheet metal or other sharp objects. Do not make or alter any open holes in an enclosure of wiring or electrical components during kit installation.

#### **WARNING: RISK OF FIRE OR ELECTRICAL SHOCK**

Turn off electrical power at fuse or circuit breaker box before wiring fixture to the power supply.

Turn off the power when you perform any maintenance.

Verify that supply voltage is correct by comparing it with the luminaire label information.

Make all electrical and grounded connections in accordance with the National Electrical Code and any applicable local code requirements.

All wiring connections should be capped with UL approved wire connectors.

#### **CAUTION: RISK OF INJURY**

Avoid direct eye exposure to the light source while it is on.

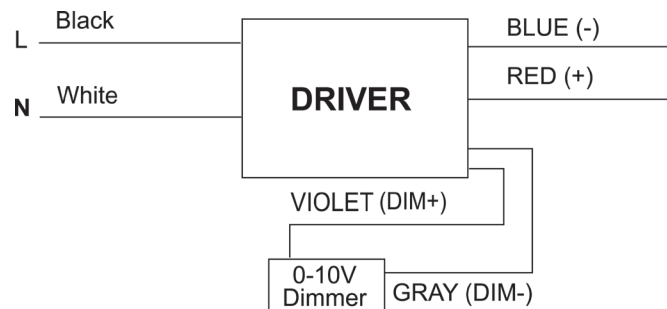
Account for small parts and destroy packing material, as these may be hazardous to children.

#### **SUITABLE FOR DRY OR DAMP LOCATION**

### INSTALLATION:

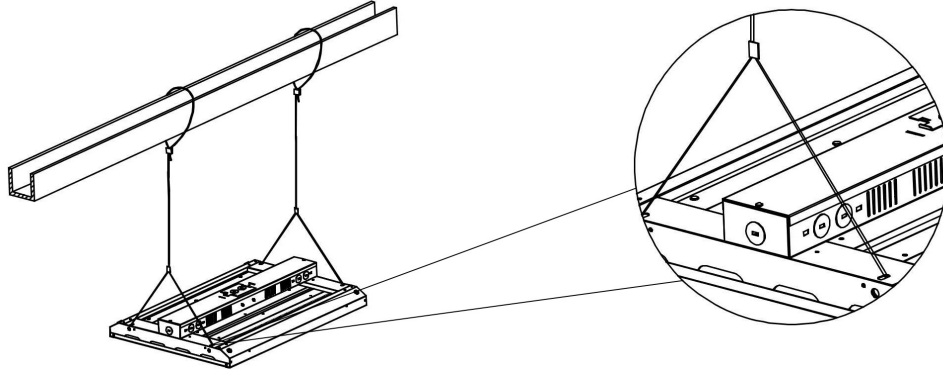
#### **ALWAYS TURN OFF THE POWER SUPPLY FROM MAIN CIRCUIT BREAKER FIRST!**

1. Remove the new LED fixture from packaging and inspect for any damages. Handle new LED fixture with care.
2. CHAIN MOUNT EXAMPLE; Install the chain into the provided wire hanger. Secure the other end of the chain to a structure using hardware rated for the load. Install the wire hanger onto the side of the top LLH LED channel. Make sure the wiring hangers are fully engaged into the side holes on the top channel.
3. Connect the LED high bay wiring to line wire, black to black, white to white, and green to green. Use only UL listed wiring. **\*\*NOTE: Violet and gray lead inside the driver compartment are 0-10V (low voltage) dimming leads. Connect to dimming low voltage wiring only.**
4. Clean all residues/fingerprints from the new LED high bay and lens. Double check all hanging hardware before moving onto the next installation.

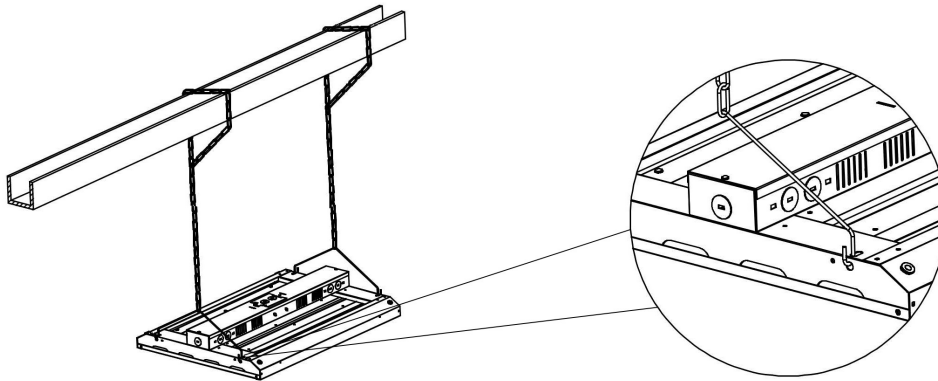


## MOUNTING OPTIONS:

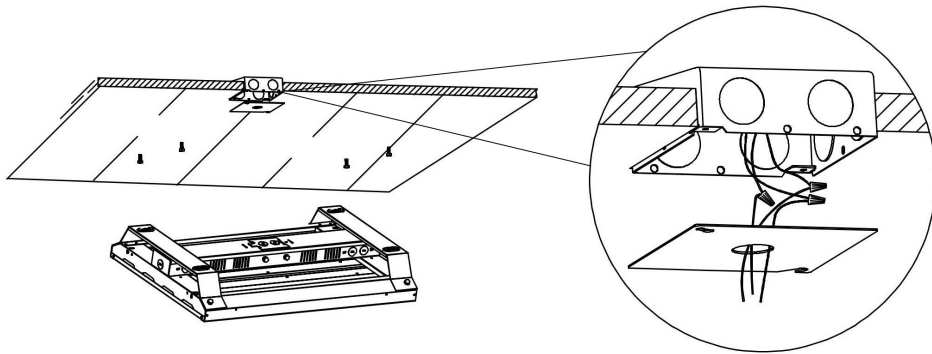
### CABLE



### CHAIN



### SURFACE



### PENDANT BOX

