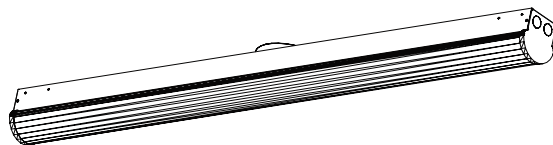




# INSTALLATION INSTRUCTIONS

## STR - LED Strip Fixture



### SAFETY PRECAUTION:

To reduce the risk of death, personal injury or property damage from fire, electric shock, falling parts, cuts/abrasions, and other hazards read all warnings and instructions included with and on the fixture box and all fixture labels.

Before installing, servicing, or performing routine maintenance upon this equipment, follow these general precautions.

Commercial installation, service and maintenance of luminaires should be performed by a qualified licensed electrician.

For the installation: If you are unsure about the installation or maintenance of the luminaires, consult a qualified licensed electrician and check your local electrical code.

To prevent wiring damage or abrasion, do not expose wiring to edges of sheet metal or other sharp objects.

Do not make or alter any open holes in an enclosure of wiring or electrical components during kit installation.

#### **WARNING: RISK OF FIRE OR ELECTRICAL SHOCK**

Turn off electrical power at fuse or circuit breaker box before wiring fixture to the power supply.

Turn off the power when you perform any maintenance.

Verify that supply voltage is correct by comparing it with the luminaire label information.

All wiring connections should be capped with UL approved wire connectors.

#### **CAUTION: RISK OF INJURY**

Avoid direct eye exposure to the light source while it is on.

Account for small parts and destroy packing material, as these may be hazardous to children.

Risk of burns. Disconnect power and allow fixture to cool before changing bulb or handling fixture.

#### **SUITABLE FOR DRY OR DAMP LOCATION**

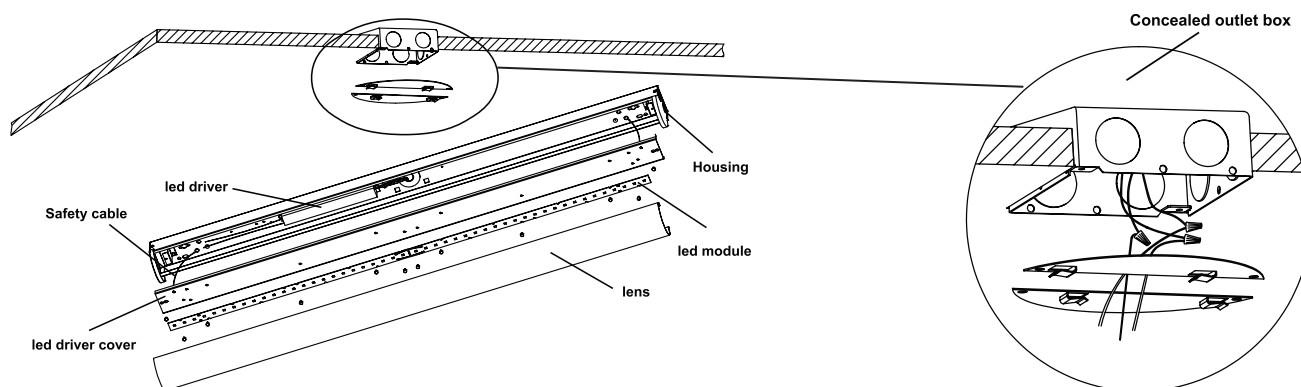
**GREEN GROUND SCREW PROVIDED IN PROPER LOCATION. DO NOT RELOCATE.**

**MINIMUM 90°C SUPPLY CONDUCTORS.**

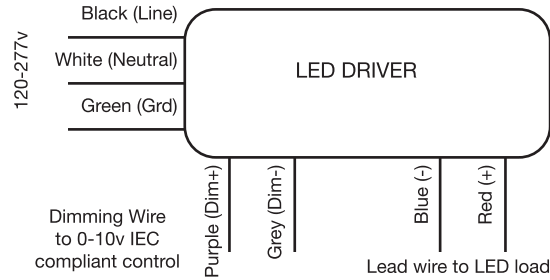
**SPECIFICATIONS AND DIMENSIONS ARE SUBJECT TO CHANGE WITHOUT NOTICE.**

### INSTALLATION:

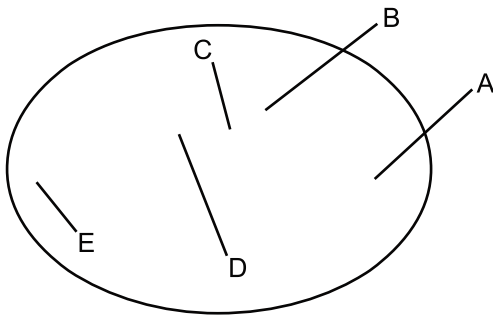
**BEFORE INSTALLATION, ENSURE THAT POWER SUPPLY IS DISCONNECTED FROM MAIN CIRCUIT BREAKER!**



### GENERAL WIRING DIAGRAM:



### MOUNTING OPTIONS:



- A:** End Cap
- B:** Chain Mounting with V-Hook
- C:** Surface Mounting
- D:** T-Bar Clip Mounting
- E:** Wiring Knockouts

#### CHAIN MOUNTING WITH V-HOOK

Attach customer-supplied V-hooks to each end of the luminaire base. Attach customer-supplied chain to the V-hooks and mounting surface. As shown at point B.

#### SURFACE MOUNTING

Secure the luminaire base to mounting surface by inserting customer-supplied #8 anchor screws, toggle bolts, or other suitable fasteners (depending on structural conditions) into keyhole slots on the top side of the luminaire base. As shown in at point C.

#### T-BAR CLIP MOUNTING

Attach customer-supplied T-bar clips to the designated opening on the luminaire. Bring luminaire into T-bar ceiling grid and secure luminaire to the grid. As show in at point D.