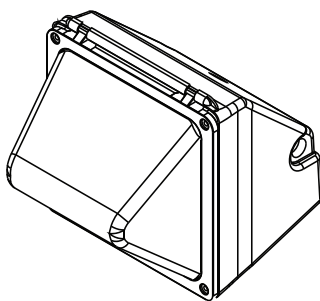




# INSTALLATION INSTRUCTIONS

## WMG-1C-50K-U LED Glass Wallpack



### SAFETY PRECAUTION:

- CAUTION: This product uses an input 100-277VAC wide range driver, but the actual working voltage is dependent on the input voltage of the optional photocell installed on the product. Normally the input voltage of photocell is 120V/208V/240V/277V single range, or it could be 120-277VAC wide range. Please pay attention when installing.
  - WARNING: To avoid the risk of fire, explosion, or electric shock, this product should be installed, inspected, and maintained by a qualified electrician only, in accordance with all applicable electrical codes
  - WARNING: To avoid electric shock be certain electrical power is OFF before and during installation and maintenance.
  - WARNING: To avoid electric shock luminaire must be connected to a wiring system with an equipment-grounding conductor.
  - WARNING: Make sure the supply voltage is the same as the rated luminaire voltage.
  - WARNING: Do not install where marked operating temperatures exceed the ignition temperature of the hazardous atmosphere.
  - WARNING: Do not operate in ambient temperatures above those indicated on the luminaire nameplate.
- SUITABLE FOR USE IN WET LOCATIONS  
FOR SUPPLY CONNECTIONS USE WIRE RATED FOR AT LEAST 90°C.  
AMBIENT TEMP: -20-+40°C

### INSTALLATION:

#### ALWAYS TURN OFF THE POWER SUPPLY FROM MAIN CIRCUIT BREAKER FIRST!

1. Place supply wires through provided mounting plate with gasket and attach to junction box. (See Fig. 1)
2. Remove lens, and then remove lens plate from the fixture.
3. Remove lock nut at the bottom. (See Fig. 2)
4. Feed supply leads to the fixture and install the nut.
5. Connect fixture leads to supply leads with wire nuts. (See Fig. 3)
6. Replace lens plate and install fixture. Reinstall lens.
7. Restore power and check the fixture.

