



# Operation Instructions

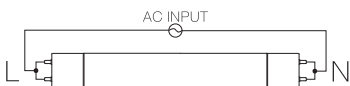
## LED T8 Tube Lights

### Double ended By Pass / Line Voltage

Product Name: **LED T8 Tube Series - 17W**  
 Product Model: **LED17WT8/48/835-DBL-G7D,**  
**LED17WT8/48/840-DBL-G7D, LED17WT8/48/850-DBL-G7D**

### 1. Product Features:

- UL certified
- Full glass housing: No Aging, Yellowing, Bending.

- Double ended: 

### 2. Product Applications:

Widely used in residential buildings, offices, shopping malls, supermarkets, hospitals, assembly lines, warehouses, etc. for energy saving illumination.

### 3. Installation Instructions:

Please completely comply with these instructions and notes, to ensure that the product is operated in a safe condition.

#### ⚠ Safety Precautions :

For your and others' safety, please read the precaution carefully before installation:

- (1). Product should be installed by qualified electrician.
- (2). Switch off the power supply before commencing work, make sure correct connection before power on.
- (3). NOT FOR EMERGENCY LIGHTING.

The units covered by this report were intended to retrofit surface mount with diffuser for these models, Type IC or non-IC recessed mount listed fluorescent luminaires that use maximum four tubular lamps, the minimum lamp compartment dimensions are tabulated below:

Model Number	MINIMUM LAMP COMPARTMENT DIMENSIONS [Length x Width x Height] [cm]	Lamp Quantity
LED17WT8/48/835-DBL-G7D LED17WT8/48/840-DBL-G7D LED17WT8/48/850-DBL-G7D	1262.8 x 76.2 x 50.7	4

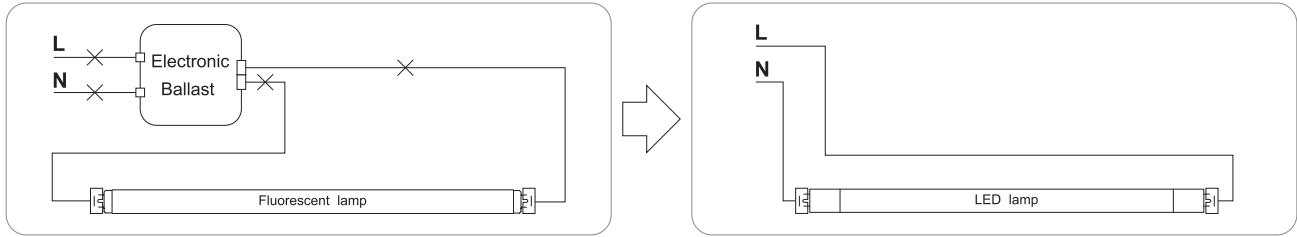
A-1

**! The below ballast wiring represents typical configuration.**  
 The actual ballast wiring varies according to ballast model. It is not needed to change socket (if in good condition) to operate double ended lamps, regardless the type of sockets. Please make sure one side of fixture is connected to Live (L) and the other side to Neutral (N).

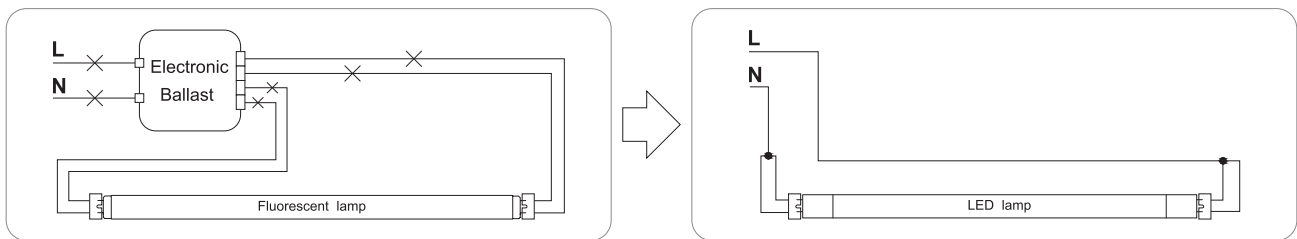
## Wiring Instruction

### Retrofit luminaire with 1 lamp

#### Instant Start

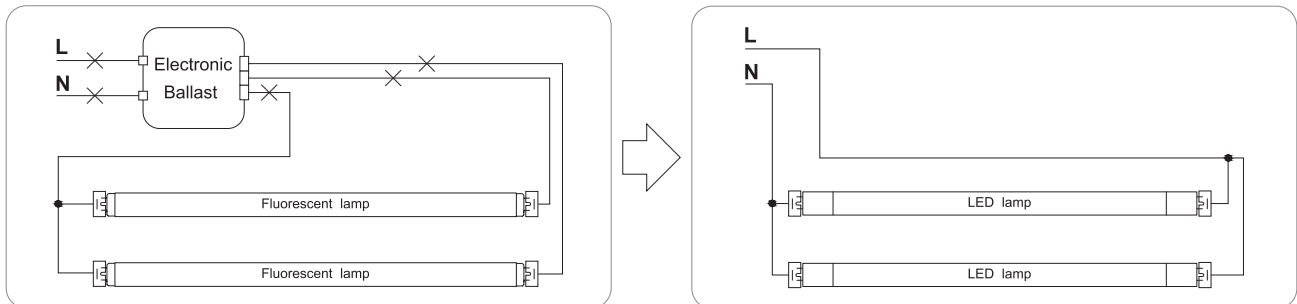


#### Program Start or Rapid Start

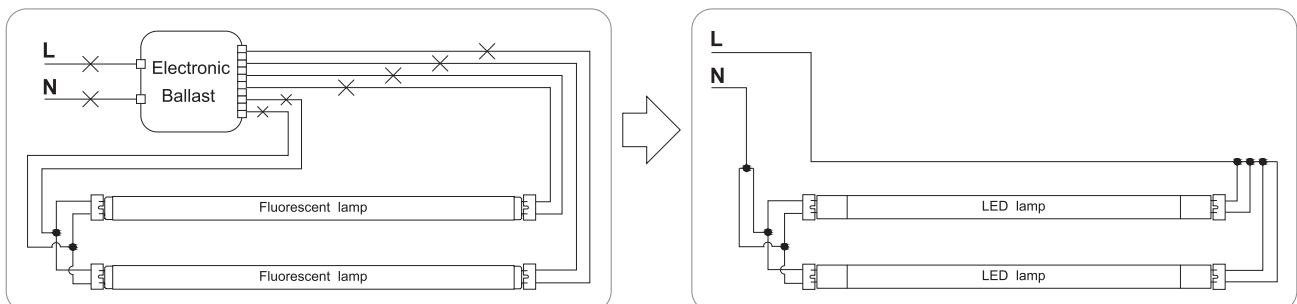


### Retrofit luminaire with 2 lamps

#### Instant start



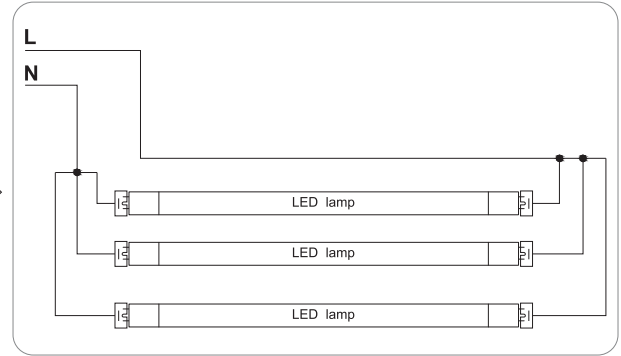
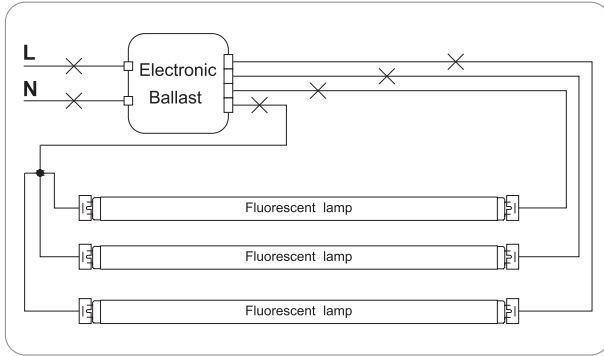
#### Program Start or Rapid Start



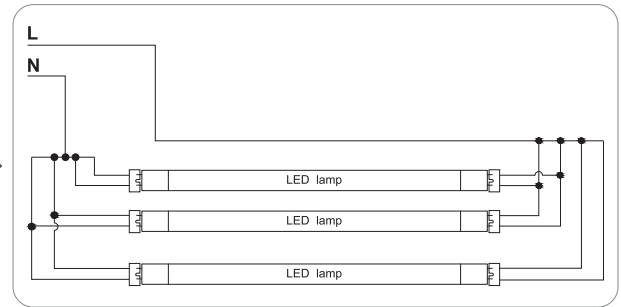
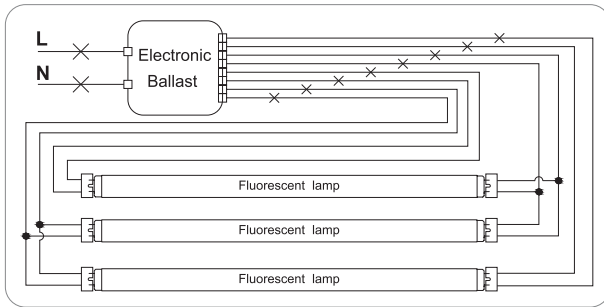
# Wiring Instruction

## Retrofit luminaire with 3 lamps

### Instant start

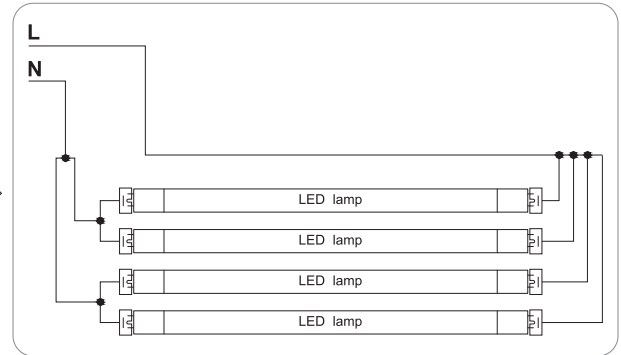
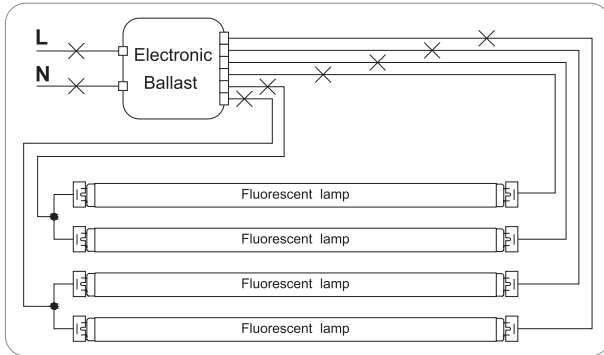


### Program Start or Rapid Start



## Retrofit luminaire with 4 lamps

### Instant start



### Program Start or Rapid Start

