



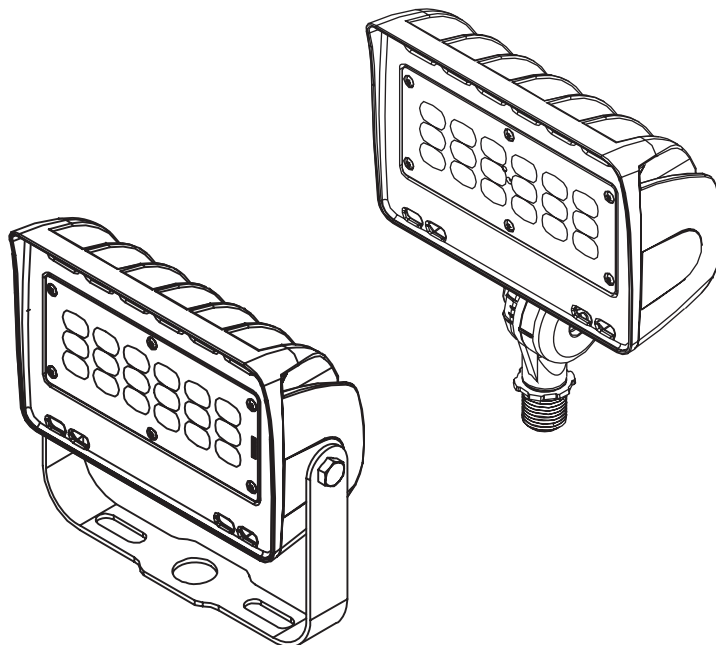
INSTALLATION INSTRUCTIONS

FLJ-1C-XXK-K-U | FLJ-1C-XXK-Y-U

FLJ-3C-XXK-K-U | FLJ-3C-XXK-Y-U

FLJ-5C-XXK-K-U | FLJ-5C-XXK-Y-U

LED Floodlight Mini



SAFETY PRECAUTION:

- WARNING: To avoid the risk of fire, explosion, or electric shock, this product should be installed, inspected, and maintained by a qualified electrician only, in accordance with all applicable electrical codes.
- WARNING: To avoid electric shock be certain electrical power is OFF before and during installation and maintenance.
- WARNING: To avoid electric shock luminaire must be connected to a wiring system with an equipment-grounding conductor.
- WARNING: Make sure the supply voltage is the same as the rated luminaire voltage.
- WARNING: Do not operate in ambient temperatures above those indicated on the luminaire nameplate.

SUITABLE FOR USE IN WET LOCATIONS

FOR SUPPLY CONNECTIONS USE WIRE RATED FOR AT LEAST 90°C.

AMBIENT TEMP: -20-+40°C

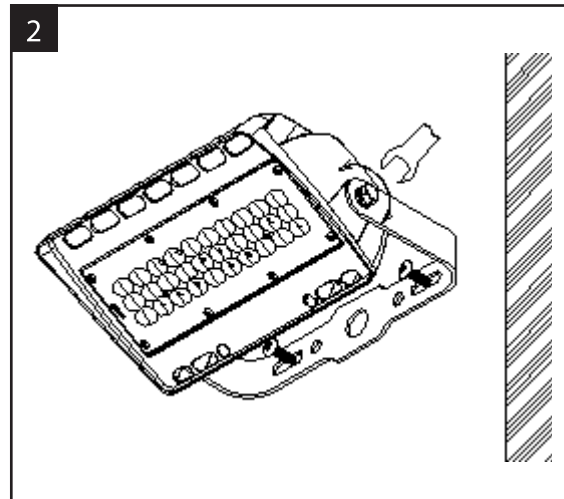
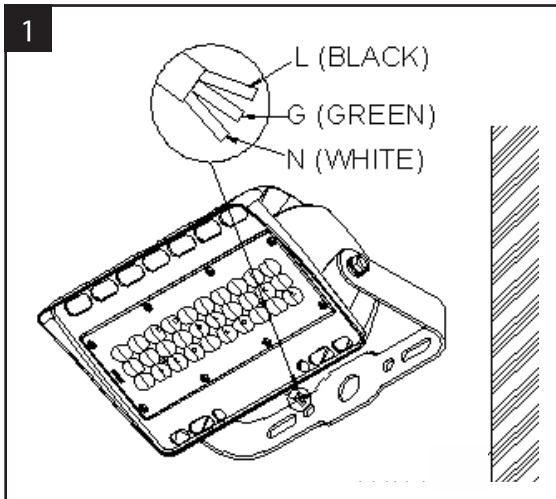
ELECTRICAL PARAMETERS

Model No.	Input Wattage	Input Voltage	Input Current	Power Factor
FLJ-1C-XXK-K-U	12W	100-277VAC 50/60Hz	0.15A	≥0.95
FLJ-1C-XXK-Y-U	12W	100-277VAC 50/60Hz	0.15A	≥0.95
FLJ-2C-XXK-K-U	30W	100-277VAC 50/60Hz	0.38A	≥0.95
FLJ-2C-XXK-Y-U	30W	100-277VAC 50/60Hz	0.38A	≥0.95
FLJ-3C-XXK-K-U	50W	100-277VAC 50/60Hz	0.52A	≥0.95
FLJ-3C-XXK-Y-U	50W	100-277VAC 50/60Hz	0.52A	≥0.95

INSTALLATION: YOKE MOUNT

ALWAYS TURN OFF THE POWER SUPPLY FROM MAIN CIRCUIT BREAKER FIRST!

1. Use expansion bolts (not included) to secure the fixture on mounting surface.
2. Keep enough length on the wires to ensure fixture can be adjusted to desired angle unhindered.
3. Connect wires into wiring terminal; white wire to “neutral” terminal, black wire to “live” terminal, and green wire to “ground” terminal.
4. Adjust the fixture to desired angle and tighten the screws on the side of fixture to secure.



INSTALLATION: KNUCKLE MOUNT

ALWAYS TURN OFF THE POWER SUPPLY FROM MAIN CIRCUIT BREAKER FIRST!

1. Adjust the screw to allow the fixture to be adjusted up or down.
2. Secure service wire or conduit to the wiring compartment cover with 1/2" connector (not provided).
3. Connect white fixture wire to white supply wire, black fixture wire to black supply wire. Service ground should be attached to green ground screw provided. Ground must be properly attached to avoid the risk of electrical shock. Use wire nuts, crimp-on lugs, or other approved devices to connect all wires, make sure connections are secure and that no loose wire strands are sticking out of connectors, Secure wiring compartment cover to fixture. With black and white connections inside the wiring compartment.

